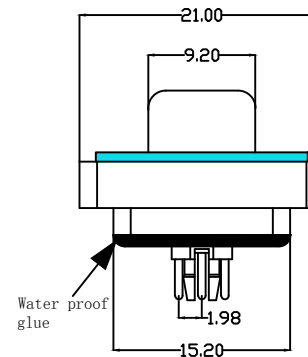
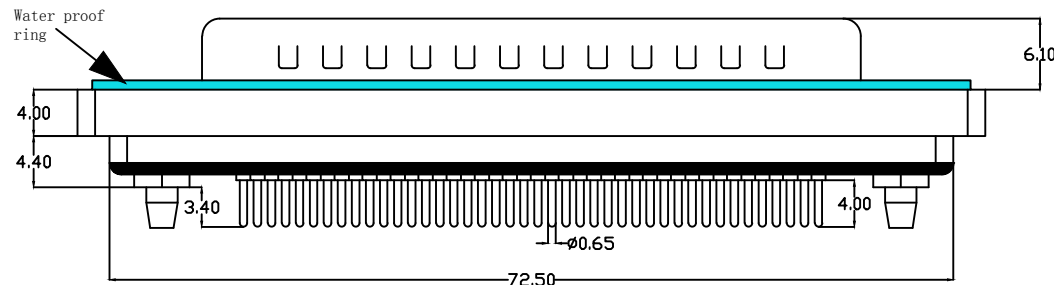


Specification for waterproof screws

Part number	Xsize	Asize	In the teeth
	4.8	3.2	4#40
	4.8	7	4#40
	5.8	7	4#40



Instructions:

1.Features:

- Rated voltage :500V AC MIN
- Rated current :5A
- Impedance of contact :30mΩ MAX.
- Resistance of insulation :5000ΩMIN. at 500V DC
- Voltage resistance value :500V AC RMS for 1Minute
- Range of temperature : -55℃~+105℃
- Water resistance class :IP67

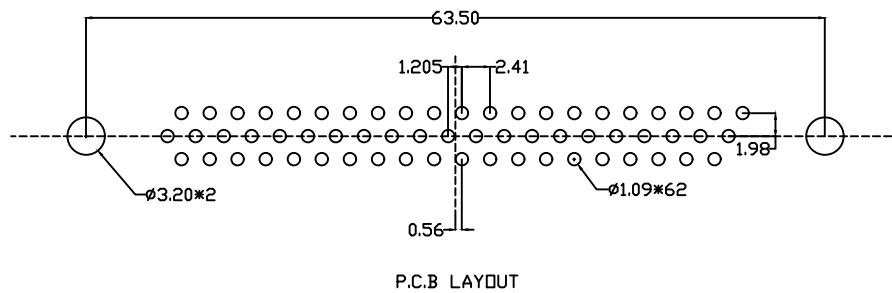
2.material:

Rubber core : PBT Add fine 30%(UL94V-0)
(Black white)

Car PIN : C3604(BRASS), Gold plated 3U"
The iron shell : SPCC, The front shell is nickel plated and the rear shell is tin plated

3.Precautions:

- a.After 48 hours of salt spray test, no oxidation rust phenomenon
- b.The finished product should not have broken bent needles.



UNLESS OTHERWISE SPECIFIED TOLERANCE

ANG.	±5'
0.	±0.5
.0	±0.3
.00	±0.2

深圳市强泰盛电子有限公司
Shenzhen Qiangtaisheng Electronic Co. LTD.
TEL:86-755-8259792 FAX:86-755-27313473

SCALE: AS SHOWN UNIT: mm

DRAWN WAN 06/17/13

CHECKED CHEN 06/17/13

APPROVED CHEN 06/17/13

DRAWN NAME:
HDP62 male waterproof
riveting with copper column

PRODUCT NO.

A ECN-20130617001(WAN)

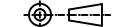
06/17/13

APPROVED CHEN 06/17/13

FILE NAME:

REV. DESCRIPTION

DATE



SIZE A4

REV. A

FILE NAME: