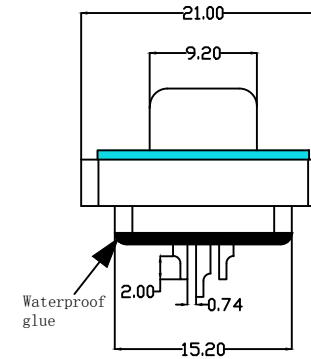
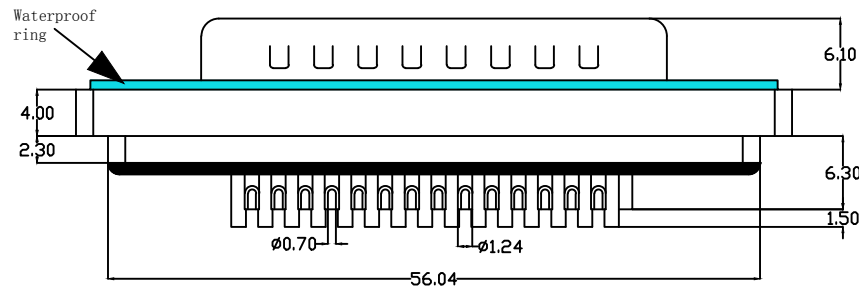


Waterproof screw
specification attached

Part Number	Xsize	Asize	Internal tooth
	4.8	3.2	4#40
	4.8	7	4#40
	5.8	7	4#40

Explain:

- 1.Characteristic:
 Rated voltage :500V AC MIN
 Rated current :5A
 Contact impedance :30mΩ MAX.
 Insulation impedance :5000MΩMIN. at 500V DC
 Withstand voltage value :500V AC RMS for 1Minute
 Temperature range : -55℃--+105℃
 Waterproof grade :IP67
- 2.Material science:
 Rubber core : PBT Fiber adding 30%(UL94V-0)
 (Black White)
 Car PIN : C3604(BRASS), gold-plated 3U "
 Iron shell : SPCC, Front shell nickel plating
 Rear shell tin plating
- 3.Matters needing attention:
 a.No oxidation and rust after 48H salt spray test
 b.After the salt spray test for 48H, there shall be no oxidation or rust. The finished product shall be free of defective bent needles.



UNLESS OTHERWISE SPECIFIED TOLERANCE		深圳市强泰盛电子有限公司 Shenzhen Qiangtaisheng Electronic Co. LTD. TEL:86-755-8259792 FAX:86-755-27313473	
ANG.	±5°		
0.	±0.5		
.0	±0.3		
.00	±0.2		
SCALE: AS SHOWN	UNIT: mm		
DRAWN	WAN	06/17/13	DRAWN NAME:
CHECKED	CHEN	06/17/13	HDB waterproof 44 male riveting
APPROVED	CHEN	06/17/13	PRODUCT NO.
REV.	DESCRIPTION	DATE	FILE NAME:

A ECN-20130617001(WAN)

1	2	3	4	5	6	7	8	9	10
---	---	---	---	---	---	---	---	---	----