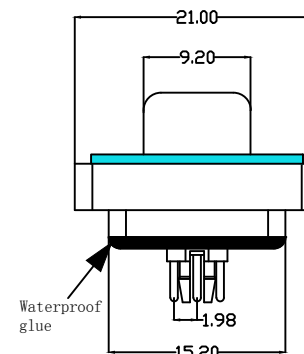
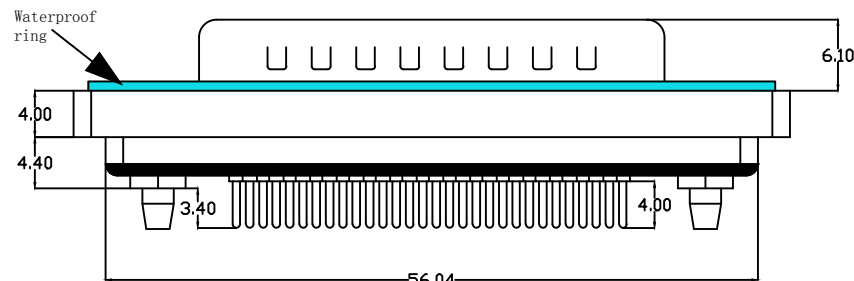


Waterproof screw specification attached

Part Number	Xsize	Asize	Internal tooth
	4.8	3.2	4#40
	4.8	7	4#40
	5.8	7	4#40



Explain:

1.Characteristic:

- Rated voltage :500V AC MIN
- Rated current :5A
- Contact impedance :30mΩ MAX.
- Insulation impedance :5000MΩMIN. at 500V DC
- Withstand voltage value :500V AC RMS for 1Minute
- Temperature range : -55°C--+105°C
- Waterproof grade :IP67

2.Material Science:

Rubber core : PBT Fiber adding 30%(UL94V-0)
(Black White)

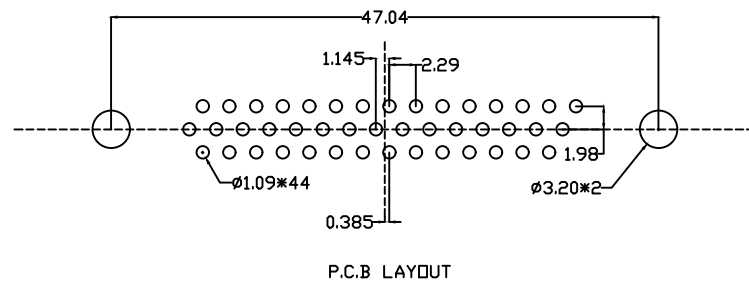
Car PIN : C3604(BRASS), gold-plated 3U "

Iron shell : SPCC, Front shell nickel plating

Rear shell tin plating

3.Matters needing attention:

- a.No oxidation and rust after 48H salt spray test
- b.After the salt spray test for 48H, there shall be no oxidation or rust. The finished product shall be free of defective bent needles.



UNLESS OTHERWISE SPECIFIED TOLERANCE		UNIT:	
ANG.	±5'	mm	
0.	±0.5		
.0	±0.3		
.00	±0.2		

SCALE: AS SHOWN

DRAWN WAN 06/17/13

CHECKED CHEN 06/17/13

APPROVED CHEN 06/17/13

UNITS: mm

DRAWN NAME: HDP44 waterproof bus needle with copper column riveting

PRODUCT NO.

FILE NAME:

深圳市强泰盛电子有限公司
Shenzhen Qiangtaisheng Electronic Co. LTD.
TEL:86-755-8259792 FAX:86-755-27313473

REV.	DESCRIPTION	DATE	SIZE	REV.	FILE NAME:
A	ECN-20130617001(WAN)	06/17/13	A4	A	