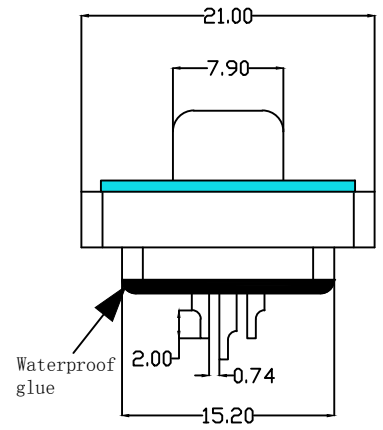
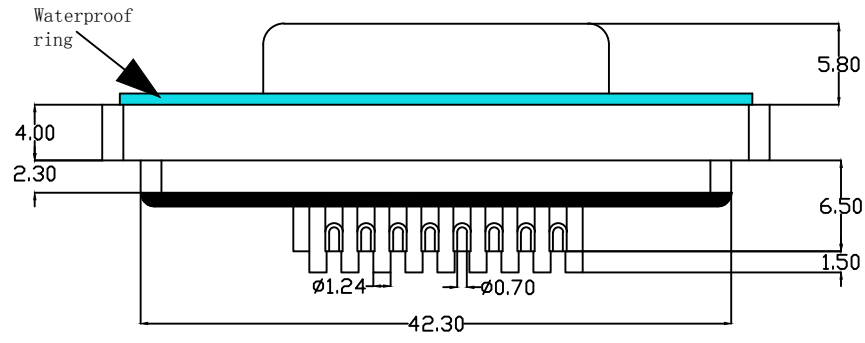


Waterproof screw specification attached

Part Number	Xsize	Asize	Internal tooth
	4.8	3.2	4#40
	4.8	7	4#40
	5.8	7	4#40

Explain:

- Characteristic:
  - Rated voltage :500V AC MIN
  - Rated current :5A
  - Contact impedance :30mΩ MAX.
  - Insulation impedance :5000ΩMIN. at 500V DC
  - Withstand voltage value :500V AC RMS for 1Minute
  - Temperature range : -55°C--+105°C
  - Waterproof grade :IP67
- Material Science:
  - Rubber core : PBT Fiber adding 30%(UL94V-0) (Black White)
  - Car PIN : C3604(BRASS), gold-plated 3U "
  - Iron shell : SPCC, Front shell nickel plating
  - Rear shell tin plating
- Matters needing attention:
  - a.No oxidation and rust after 48H salt spray test
  - b.After the salt spray test for 48H, there shall be no oxidation or rust. The finished product shall be free of defective bent needles.



UNLESS OTHERWISE SPECIFIED TOLERANCE	
ANG.	±5°
.0	±0.5
.0	±0.3
.00	±0.2

**QIANGTS** 深圳市强泰盛电子有限公司  
Shenzhen Qiangtaisheng Electronic Co. LTD.  
TEL:86-755-8259792 FAX:86-755-27313473

SCALE: AS SHOWN	UNIT: mm
DRAWN WAN	06/17/13
CHECKED CHEN	06/17/13
APPROVED CHEN	06/17/13

DRAWN NAME: HDB26 female waterproof needle riveting

A ECN-20130617001(WAN)

DATE 06/17/13

PRODUCT NO.

REV.	DESCRIPTION	DATE	SIZE	REV.	FILE NAME:
1			A4	A	