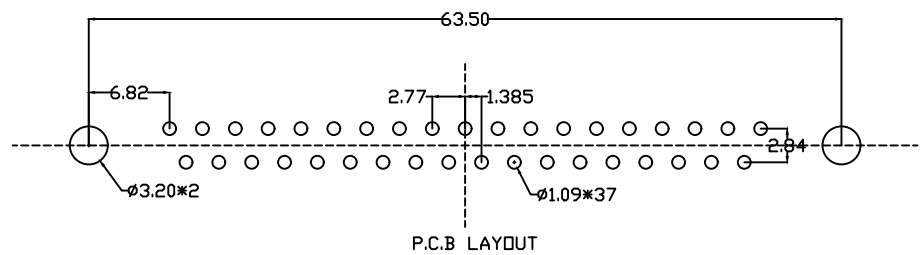
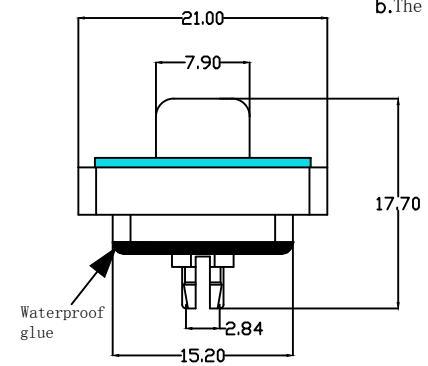
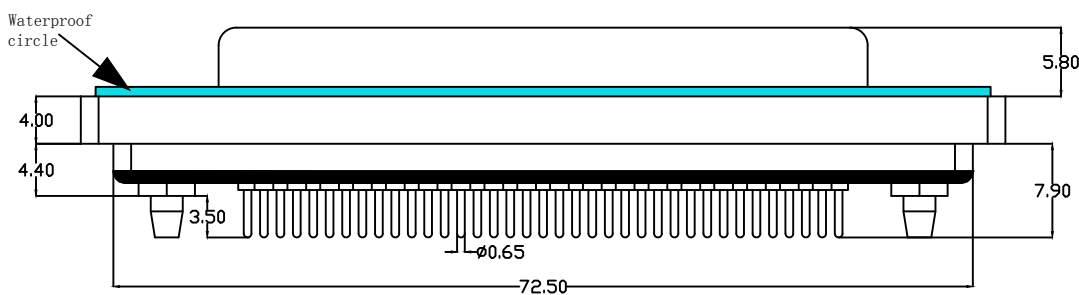


Specification for waterproof screws

Part Numbers	Xsize	Asize	In the teeth
	4.8	3.2	4#40
	4.8	7	4#40
	5.8	7	4#40

- Instructions:
- Features:
 - The rated voltage :500V AC MIN
 - Rated current :5A
 - Contact impedance :30mΩ MAX.
 - Insulation impedance :5000MΩMIN, at 500V DC
 - Resistance to voltage value :500V AC RMS for 1Minute
 - Temperature range : -55℃~+105℃
 - Waterproof level :IP67
 - Material:
 - Rubber core : PBT Add fine 30%(UL94V-0) (Black, white)
 - Car PIN : C3602(BRASS), Gold plated 3U"
 - The iron shell : SPCC. The front shell is nickel plated and the rear shell is tin plated
 - Matters needing attention:
 - a. Salt spray test 24H can not have oxidation rust phenomenon
 - b. The finished product should not have broken bent needles.



UNLESS OTHERWISE SPECIFIED TOLERANCE

ANG.	±5'
0.	±0.5
.0	±0.3
.00	±0.2


 深圳市强泰盛电子有限公司
 Shenzhen Qiangtaisheng Electronic Co. LTD.
 TEL:86-755-82599792 FAX:86-755-27313473

SCALE: AS SHOWN	UNIT: mm
DRAWN WAN	06/17/13
CHECKED CHEN	06/17/13
APPROVED CHEN	06/17/13

DRAWN NAME: DP37 female pin riveting with copper column
 PRODUCT NO.

REV.	DESCRIPTION	DATE	SIZE A4	REV. A	FILE NAME:
A	ECN-20130617001(WAN)	06/17/13			