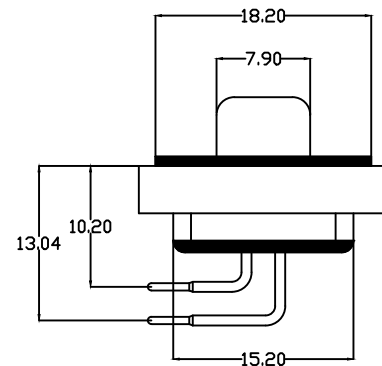
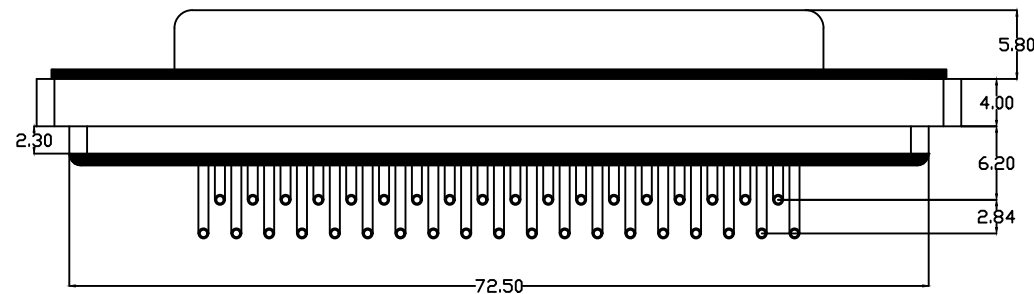


Instructions:

- Features:
  - The rated voltage :500V AC MIN
  - Rated current :5A
  - Contact impedance :30mΩ MAX.
  - Insulation impedance :5000MΩMIN. at 500V DC
  - Resistance to voltage value :500V AC RMS for 1Minute
  - Temperature range : -55℃~+105℃
  - Waterproof level :IP67
- material:
  - Rubber core : PBT Add fine 30%(UL94V-0) (Black, white)
  - Car PIN : C3602(BRASS), Gold plated 3U"
  - The iron shell : SPCC, The front shell is nickel plated and the rear shell is tin plated
- Matters needing attention:
  - a.Salt spray test 24H can not have oxidation rust phenomenon
  - b.The finished product should not have broken bent needles.



UNLESS OTHERWISE SPECIFIED TOLERANCE		深圳市强泰盛电子有限公司	
ANG.	±5°	Shenzhen Qiangtaisheng Electronic Co. LTD.	
0.	±0.5	TEL.:86-755-82599792 FAX:86-755-27313473	
.0	±0.3		
.00	±0.2		
SCALE: AS SHOWN	UNIT: mm		
DRAWN	WAN	06/17/13	DRAWN NAME: DR37 female pin bending 9.4
CHECKED	CHEN	06/17/13	Waterproof riveting
APPROVED	CHEN	06/17/13	PRODUCT NO.
DATE	SIZE A4	REV. A	FILE NAME:

A	ECN-20130617001(WAN)	06/17/13	
REV.	DESCRIPTION	DATE	