

Material:

Insulator: Glass filled PBT UL94V-0 , Blue
 Contacts: Male-Brass, Female-Phosphor Bronze
 Plating: Contact Gold plating over Nickel

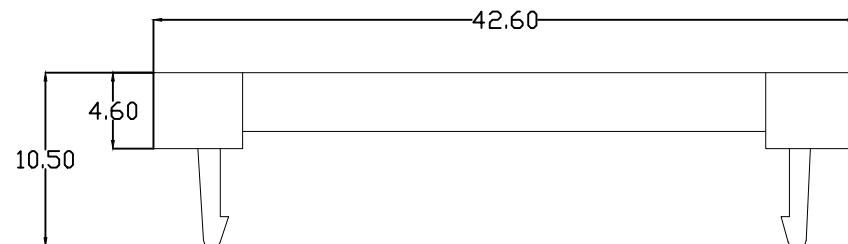
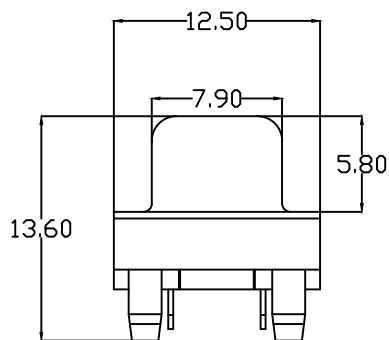
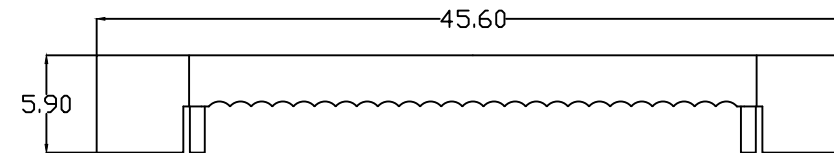
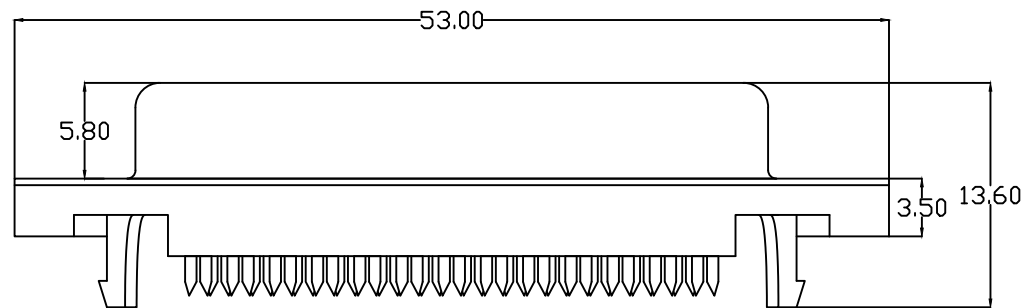
Electrical Characteristics:

Contact Resistance: 30mmax. at DC 100mA
 Insulator Resistance: 1000Mmin. at 500V DC
 Withstanding Voltage: 1000V AC/rms 50Hz For 1 minute
 Current Rating: 2 AMP

Operating Temperature: -55°C ~ +105°C

Cable: 1.27mm (0.050") pitch flat cable

*Standard Gold Flash



UNLESS OTHERWISE SPECIFIED TOLERANCE	
ANG.	±5°
0.	±0.5
.0	±0.3
.00	±0.2

QIANGTS 深圳市强泰盛电子有限公司
 Shenzhen Qiangtaisheng Electronic Co. LTD.
 TEL:86-755-82599792 FAX:86-755-27313473

SCALE: AS SHOWN	UNIT: mm
DRAWN WAN	06/17/13
CHECKED CHEN	06/17/13
APPROVED CHEN	06/17/13

DRAWN NAME: Press fit inner buckle 25 female riveting
 PRODUCT NO.

REV.	DESCRIPTION	DATE
A	ECN-20130617001(WAN)	06/17/13

SIZE A4	REV. A	FILE NAME:
---------	--------	------------