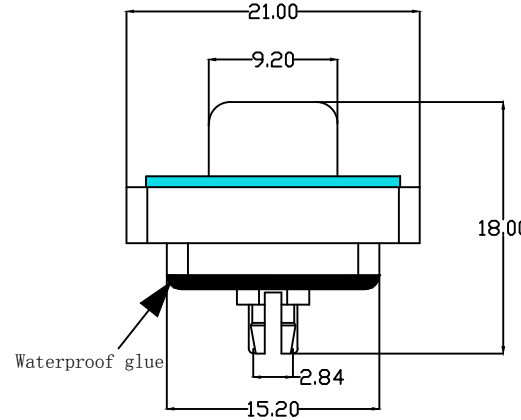
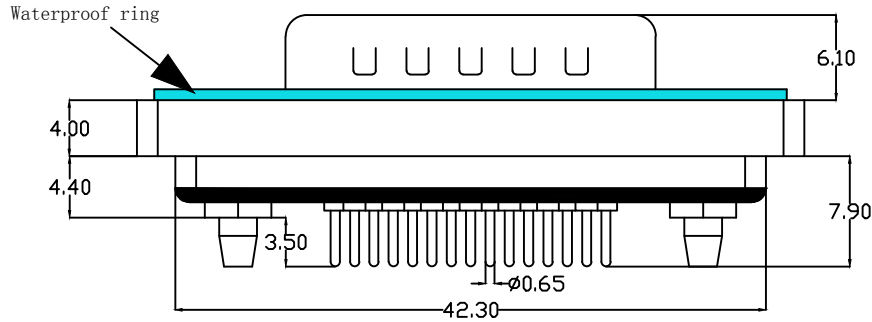


P.C.B LAYOUT

Explain:

- 1.Characteristic:
  - Rated voltage :500V AC MIN
  - Rated current :5A
  - Contact impedance :30mΩ MAX.
  - Insulation impedance :5000MΩMIN. at 500V DC
  - Withstand voltage value :500V AC RMS for 1Minute
  - Temperature range : -55℃--+105℃
  - Waterproof grade :IP67
- 2.Material Science:
  - Rubber core : PBT Fiber adding 30%(UL94V-0) (Black White)
  - Car PIN : C3604(BRASS),gold-plated 3U "
  - Iron shell : SPCC, Front shell nickel plating Rear shell tin plating
- 3.Matters needing attention:
  - a.No oxidation and rust after 48H salt spray test
  - b.The finished product shall be free of defective bent needles



Waterproof screw specification attached				
Part Number	Xsize	Asize	Internal tooth	
	4.8	3.2	4#40	
	4.8	7	4#40	
	5.8	7	4#40	

UNLESS OTHERWISE SPECIFIED TOLERANCE		深圳市强泰盛电子有限公司	
ANG.	±5°	Shenzhen Qiangtaisheng Electronic Co. LTD.	
0.	±0.5	TEL:86-755-82599792 FAX:86-755-27313473	
.0	±0.3		
.00	±0.2		
SCALE: AS SHOWN	UNIT: mm		
DRAWN	WAN	06/17/13	DRAWN NAME: DP15 bus needle waterproof belt copper column riveting
CHECKED	CHEN	06/17/13	
APPROVED	CHEN	06/17/13	PRODUCT NO.
REV.	A	FILE NAME:	

A	ECN-20130617001(WAN)	06/17/13	APPROVED	CHEN	06/17/13	PRODUCT NO.	
REV.	DESCRIPTION	DATE	SIZE	A4	REV.	A	FILE NAME: